

Sinteso™/ Cerberus™ PRO

## Alarm sounder with supplementary optical indication

FDS229-R, FDS229-A



### For the automatically addressed detector bus FDnet/C-NET

- Alarm sounder with 11 tones to choose from, 2 programmable activation levels
- Sound level up to 99 dB(A); can be set on three levels
- Optical indication with set flashing sequence, adjustable flashing mode
- Supply and communication via FDnet/C-NET
- Compatible with addressed detector base
- Option of using base accessories and sealing element
- Monitoring of device status

## Properties

### Eco-friendly

- Environmentally friendly processing
- Reusable materials
- Electronic parts and synthetic materials can be easily separated

### Features

- Protected electronics, high-quality components
- Integrated line separator
- Adjustable sounds and sound levels, sounds synchronized for all alarm devices
- Adjustable flashing mode
- Addressed base FDB221/222 with screwless connection terminals
- No auxiliary supply necessary; supply takes place via FDnet/C-NET
- Very low operating current
- Periodic test of acoustic part (inaudible)
- Monitoring of device status

## Use

- Along escape routes
- Corridors
- Staircases

## Intended use

The alarm sounder FDS229 is intended for use as an alarm device on an FDnet/C-NET detector line in conjunction with a fire control panel FC20xx ('Sinteso' product line), FC72x ('Cerberus PRO' product line), or FC361-xx ('Cerberus FIT' product line).

## Functions

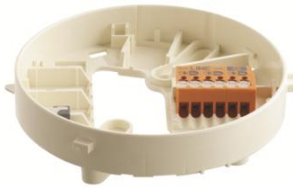
- Acoustic alarming in the event of a fire alarm; clearly recognizable as a danger signal
- Additional optical display
- Synchronization of sounds with all alarm sounders and sounder bases on the same detector line (FDnet/C-NET)
- Flashing mode
  - The optical indication flashes when 'Alert' or 'Evac' is activated
  - The optical indication only flashes when 'Evac' is activated, not when 'Alert' is

## Type Overview

Type	Designation	Order number	Weight [kg]
FDS229-R	Alarm sounder with supplementary optical indication, red	A5Q00023093	0.130
FDS229-A	Alarm sounder with supplementary optical indication, orange	A5Q00023092	0.130

Type	Designation	Order number	Weight [kg]
FDB221	Detector base, addressable	A5Q00001664	0.027
FDB222	Flat, addressable detector base	S54319-F1-A1	0.026
FDBZ293	Detector locking device	A5Q00005035	0.001
FDBZ295	Sealing element	S54319-F10-A1	0.062
FDB291	Base attachment	A5Q00001603	0.035
FDBZ291	Designation plate	A5Q00002621	0.002
FDB293	Base attachment humid	A5Q00003945	0.314
–	M20 x 1.5 metal cable gland	A5Q00004478	0.036
DBZ1193A	Designation plate	BPZ:4864330001	0.007
DBZ1194	Protective cage	BPZ:4677110001	0.138
DBZ1190-AA	Micro terminal 0.28...0.5 mm <sup>2</sup>	BPZ:4677080001	0.001
DBZ1190-AB	Connection terminal 0.5...2.5 mm <sup>2</sup>	BPZ:4942340001	0.001

**Addressable detector base FDB221 / FDB221-AA**



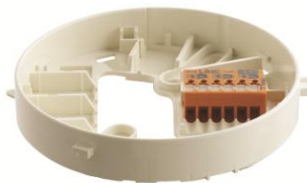
**Function:**

- Detector base with stilts for fire detectors with addressable signal processing
- 'Orange' connection terminals, 0.2...1.5 mm<sup>2</sup> conductor cross-section
- FDB221-AA also contains micro terminal DBZ1190-AA

**Use:**

- For recess-mounted cable entry
- For surface-mounted cable entry up to a cable diameter of 6 mm

**Flat, addressable detector base FDB222**



**Function:**

- Flat detector base for fire detectors with addressable signal processing
- 'Orange' connection terminals, 0.2...1.5 mm<sup>2</sup> conductor cross-section

**Use:**

- For flush mounting; only for recess-mounted cable entry

**Sealing element FDBZ295**



**Function:**

- For improving the protection category. However, detectors can no longer be installed or removed using the detector exchanger.

**Note: Cannot be used in conjunction with designation plate FDBZ291!**

### Base attachment FDB291



#### Function:

- For routing surface-mounted cables larger than  $\varnothing$  6 mm
- Detector base is secured with a snap fastener

### Designation plate FDBZ291



- For labeling with the location address
- Can only be used without detector base seal FDBZ295

### DBZ1190-AA micro terminal and DBZ1190-AB connection terminal



- Micro terminal DBZ1190-AA
  - Cable cross section up to max. 0.5 mm<sup>2</sup>
- Connection terminal DBZ1190-AB
  - Cable cross section up to max. 2.5 mm<sup>2</sup>
  - For connecting two external alarm indicators or the cable shielding

### Base attachment humid FDB293



- For achieving a higher protection category
- For mounting in wet or humid environments
- Required when using detector heating unit FDBH291
- Required when using protective cage DBZ1194 or EMC-protective cage FDBZ294
- Mounted between detector base and ceiling
- Detector base mounted quickly: The detector base simply clicks into place in base attachment humid FDB293.

### Designation plate DBZ1193A



- For labeling with the location address
- Can only be used with base attachment wet FDB295/BA721 or base attachment humid FDB293

### Protective cage DBZ1194



- To protect the alarm sounder from damage
- Can only be mounted in combination with the base attachment humid FDB293 or base attachment wet FDB295/BA721

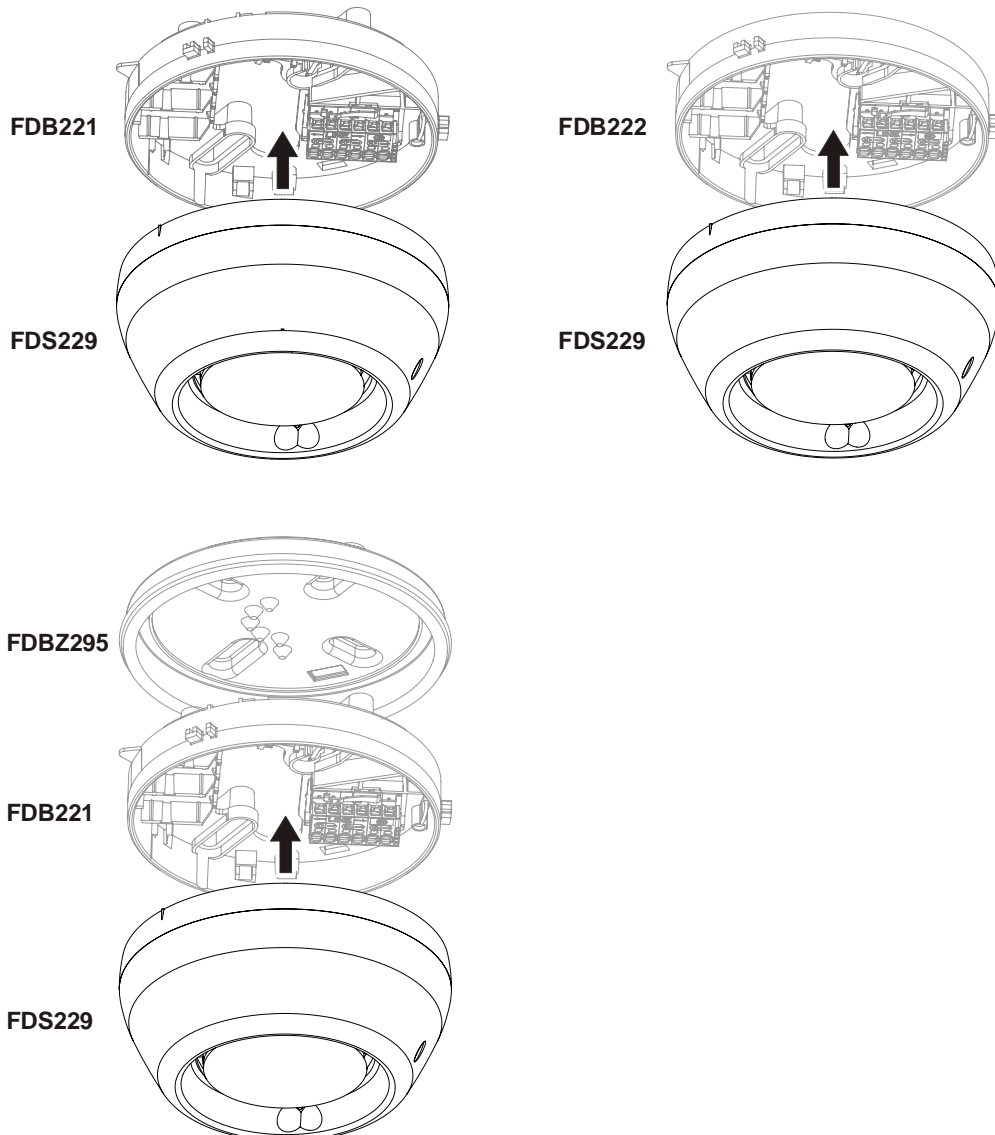
Document ID	Title
007227	Technical manual Detector exchanger and tester FDUD292
008331	List of compatibility (for 'Sinteso™' product line)
009718	Technical Manual Intelligent detector tester FDUD293
010095	Technical manual Alarm sounder with supplementary optical indication FDS229
010096	Installation Alarm sounder beacon FDS229
A6V10208532	Installation Sealing element FDBZ295
A6V10208546	Installation Detector base FDB20x/FDB201-AA, FDB22x/FDB221-AA, Base attachment FDB291, Detector designation plate FDBZ291, Dummy detector FDX291
A6V10208550	Installation Base attachment humid FDB293
A6V10208552	Installation Detector locking device FDBZ293
A6V10229261	List of compatibility (for 'Cerberus™ PRO' product line)
A6V10331076	Installation Base attachment wet FDB295, Detector designation plate DBZ1193A, Protective cage DBZ1194, EMC-protective cage FDBZ294
A6V10882301	List of compatibility (for 'FC360' product line)

Related documents such as environmental declarations, CE declarations, etc., can be downloaded at the following Internet address:

<http://siemens.com/bt/download>

## Mounting

- The alarm sounder FDS229 is inserted directly in the detector base and mounted on walls or ceilings.
- For recess-mounted feed lines
- Possible for surface-mounted feed lines with a cable diameter up to 6 mm with base FDB221; otherwise, use base attachment FDB291 or base attachment humid FDB293
- For higher protection category, use sealing element FDBZ295; for recess-mounted feed lines only



## Disposal




The device is considered an electronic device for disposal in accordance with the European Guidelines and may not be disposed of as domestic garbage.

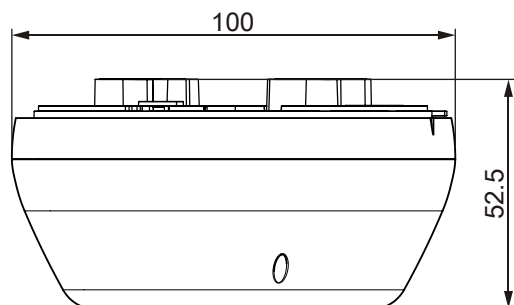
- Dispose of the device through channels provided for this purpose.
- Comply with all local and currently applicable laws and regulations.

**Technical data**

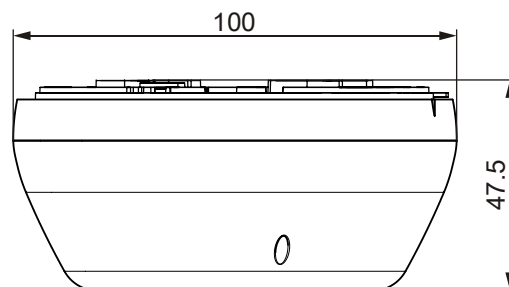
	FDS229-R	FDS229-A
Operating voltage	DC 12...33 V	
Operating current	<ul style="list-style-type: none"> <li>• Standby 250 µA</li> <li>• Sound activated 3.5 mA</li> <li>• Additional optical indicator activated 3.5 mA</li> <li>• Sound and indication activated 7.0 mA</li> </ul>	
Sounds	11 2 activation levels 3 sound levels	
Sound level	80...99 dB(A)	
Number of beacon patterns	1 (intermittent)	
Light intensity at DC 32 V, depending on viewing angle -30° ...+30°	1.27...3.2 cd	1.1...2.8 cd
External alarm indicator	2	
Operating temperature	-25...+65 °C	-25...+55 °C
Storage temperature	-30...+75 °C	
Air humidity	≤95 % rel.	
Communication protocol	FDnet/C-NET	
Connection terminals	According to detector base	
Color	Transparent red	Transparent orange
EN 60529/IEC 60529 protection category: FDS229 with	<ul style="list-style-type: none"> <li>• Base FDB221 or FDB222</li> <li>• Base attachment FDB291</li> <li>• Base FDB221 and sealing element FDBZ295</li> <li>• Base attachment humid FDB293</li> </ul>	
Standards	EN 54-3, EN 54-17	
Approvals	<ul style="list-style-type: none"> <li>• VdS</li> <li>• LPCB</li> <li>• DNV GL (marine)</li> </ul>	
C-NET, FDnet system compatibility	FS720, FS20, FC360	

07  0786	<b>FDS229-A / FDS229-R</b>	Siemens Schweiz AG; Theilerstrasse 1a CH-6300 Zug Technical data: see doc. <b>010095</b>
FDS229 - Sounder incl. short-circuit isolator for use in fire detection and fire alarm systems installed in buildings.		
305/2011/EU (CPR): EN 54-3 / EN 54-17 ; 2014/30/EU (EMC): EN 50130-4 / EN 61000-6-3 ; 2011/65/EU (RoHS): EN 50581		
The declared performance and conformity can be seen in the Declaration of Performance (DoP) and the EU Declaration of Conformity (DoC), which is obtainable via the Customer Support Center: Tel. +49 89 9221-8000 or <a href="https://siemens.com/bt/download">https://siemens.com/bt/download</a>		
DoP No.: 0786-CPR-20345; DoC No.: CED-FDS229		

FDS229 with FDB221



FDS229 with FDB222



FDS229 with FDB221 and FDBZ295

